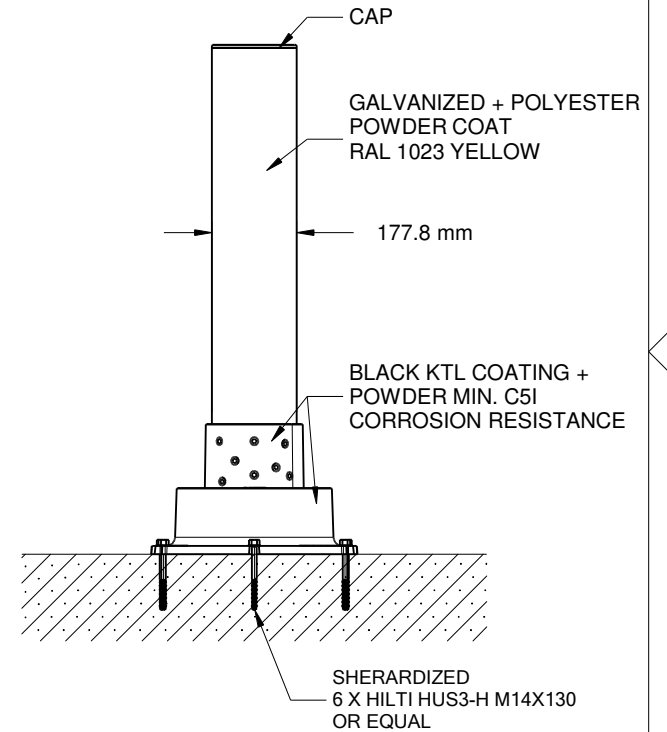


DETAIL



* MINIMUM FOUNDATION DEPENDS ON LOCAL
SOIL CONDITIONS, WEATHER & ENG. REQ'TS